

MATERIALS AND FINISHES

BODY BRASS  
PLATED GOLD

CENTER CONTACT BERYLLIUM COPPER  
PLATED GOLD

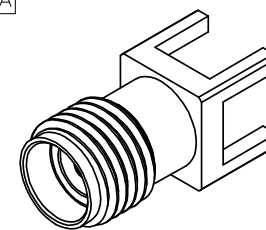
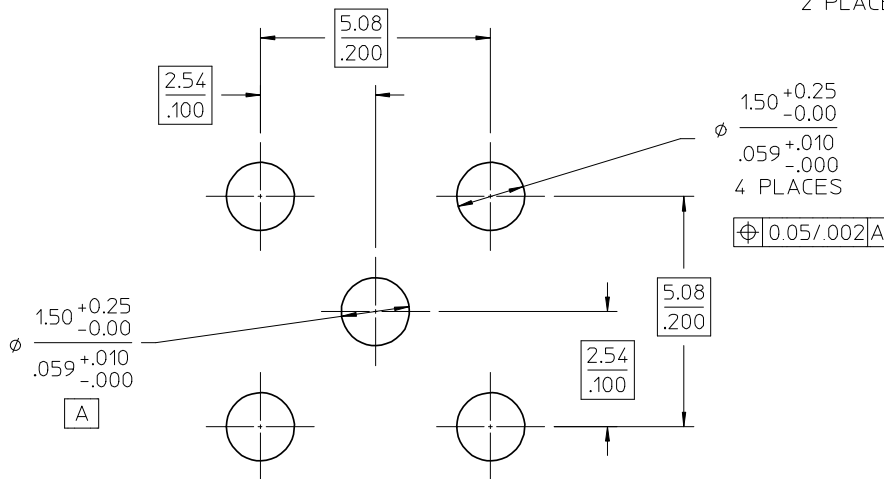
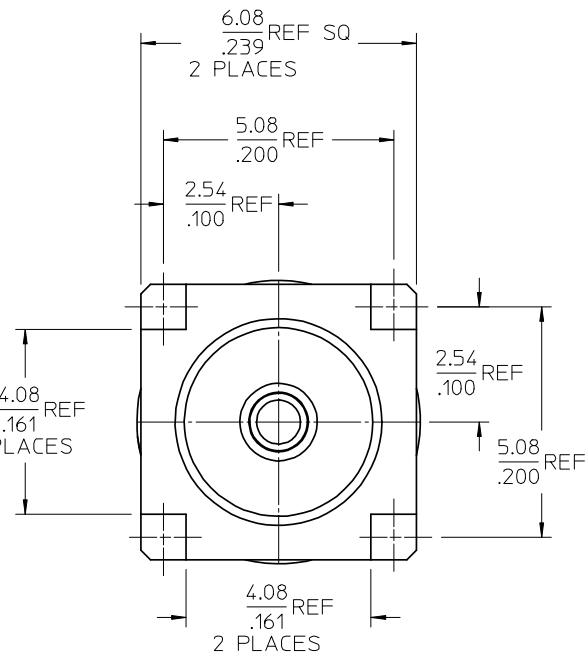
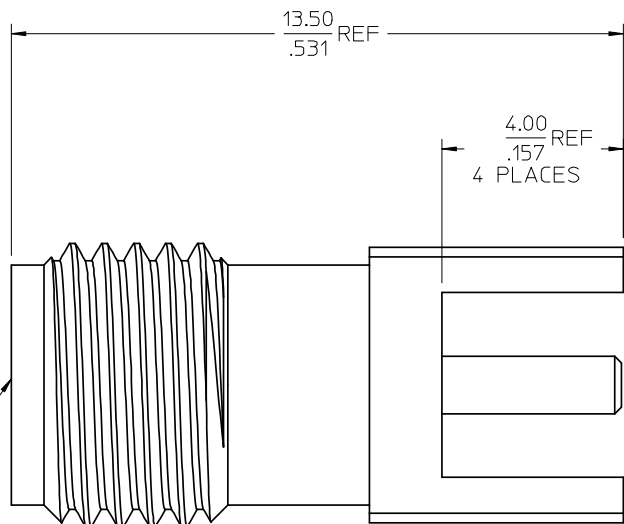
INSULATOR TEFLON

PACKAGING: TRAY

WILL WITHSTAND REFLOW  
TEMPERATURE OF  
265 DEG C ±5 DEG

SMA JACK  
INTERFACE

1/4-36 UNS-2A



73251-3141	73391-0060 BY TRAY (20 CAV.)
73251-3140	73391-0060, ONE PER BAG
73391-0060	BULK
PART NO.	PACKAGING

PS-73436-009	ELECTRO/MECH. PERFORM.
SPECIFICATION	DESCRIPTION

CHG: ADD REFLOW  
TEMPERATURE NOTE

EC NO: URF2008-0373  
DRAWN: WIENER 2008/01/21  
CHKD: ROBERTSON 2008/01/21  
APPR: WIENER 2008/01/21

QUALITY SYMBOLS  
▽=0  
▽=0

GENERAL TOLERANCES (UNLESS SPECIFIED)

	mm	INCH
4 PLACES	± .005	± .0005
3 PLACES	± .005	± .0005
2 PLACES	± .005	± .0005
1 PLACE	± .005	± .0005

ANGULAR ± 2 °

DRAFT WHERE APPLICABLE  
MUST REMAIN  
WITHIN DIMENSIONS

DIMENSION STYLE  
MM/IN

DRAWN BY IRIS WANG DATE 1997/5/30  
CHECKED BY BEN LEE DATE 1999/2/22  
APPROVED BY MI SEN DATE 1999/2/22

SIZE C

SCALE DESIGN UNITS METRIC

THIRD ANGLE PROJECTION

TITLE SMA JACK VERTICAL SMA-J/PCB

MATERIAL NO. SEE TABLE DOCUMENT NO. SD-73391-0060 SHEET NO. 1 OF 1

MOLEX INCORPORATED

THIS DRAWING CONTAINS INFORMATION THAT IS PROPRIETARY TO MOLEX INCORPORATED AND SHOULD NOT BE USED WITHOUT WRITTEN PERMISSION